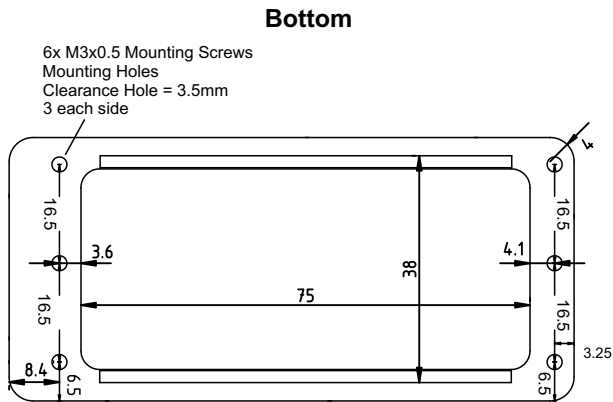
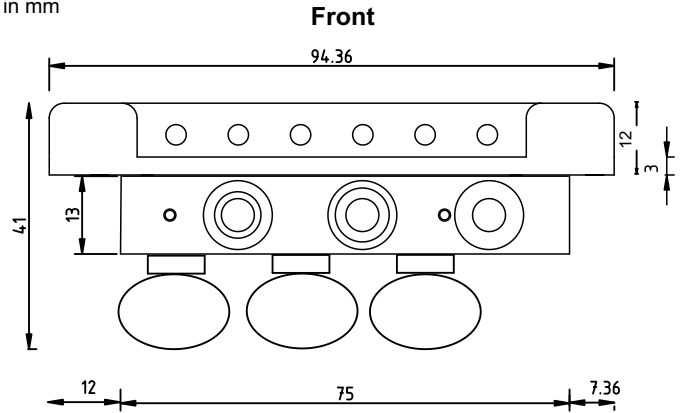
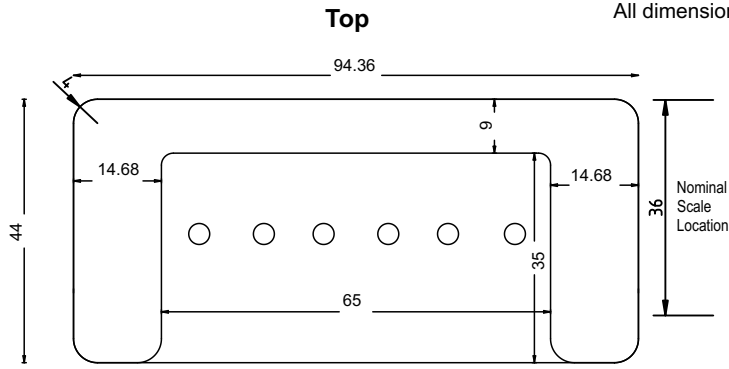


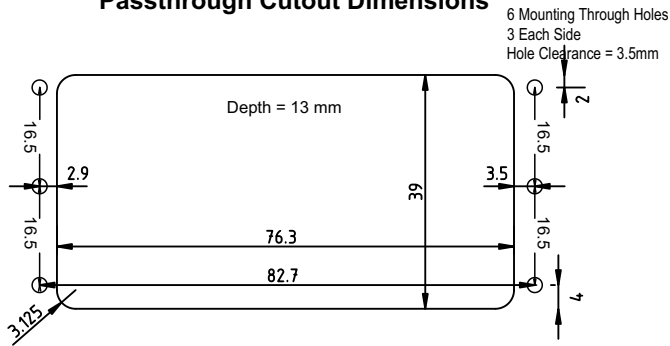
Peachtree Bridge Standard Dimensional Layout

All dimensions in mm

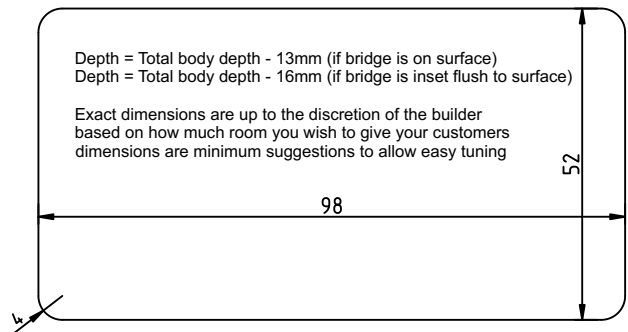


Peachtree Bridge Standard Installation Cavities

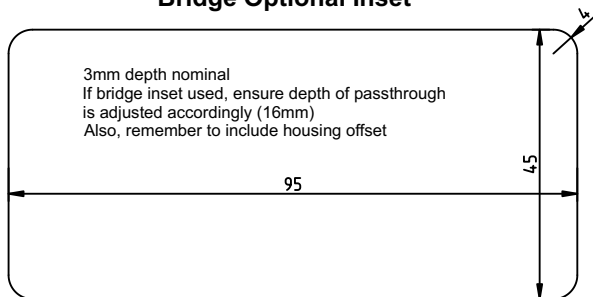
Passthrough Cutout Dimensions



Rear Tuner Access Cavity



Bridge Optional Inset



All Specifications Subject to Change Without Notice

The Peachtree Bridge® is supplied under license
Covered under US Patent 11,074,893

Copyright © 2023 Peachtree Bridge Enterprises, LLC.

All rights reserved